

## Blaumar I1

### Description

Centrifugal pumps with high suction power designed for the recirculation and filtration of water in dismantable or home swimming pools up to 128 m<sup>3</sup>. Pre-filter with transparent cap, anti-blocking seal and drainage spout. Supplied with suction and impulsion adaptors.

### Materials

Pump casing, pump base, diffuser, impeller and seal mounting in technopolymer.

Stainless-steel drive shaft.

Mechanical seal in graphite and alumine.

Aluminium motor casing.

Windings mechanism impregnated with epoxy resin.

NBR gaskets.

### Motor

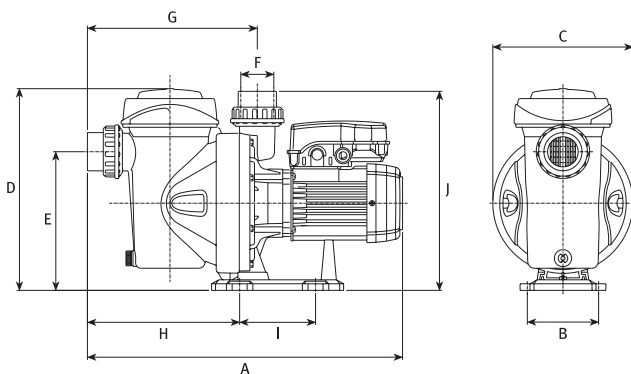
Dual-pole, asynchronous. IP55 protection.

Class F insulation. Continuous operation.

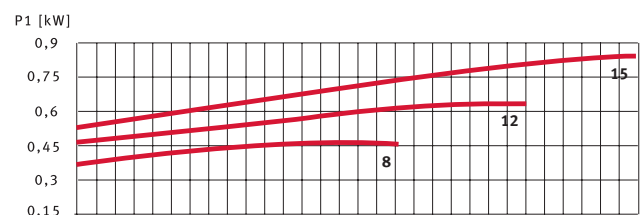
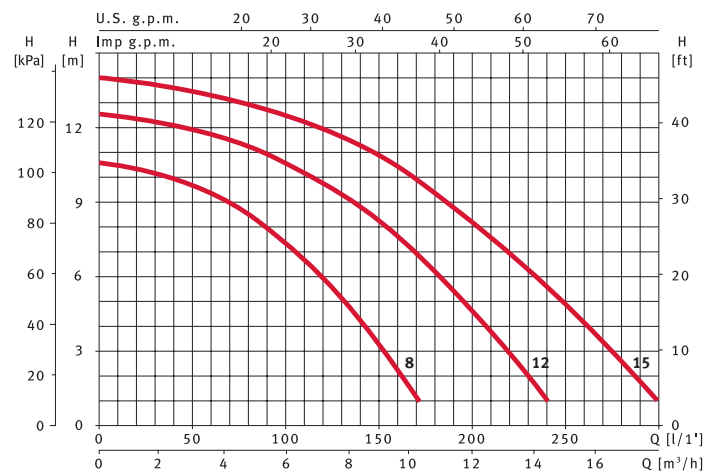
Single-phase version with built-in thermal protector.



### Dimensions



Model	A	B	C	D	E	F	G	H	I	J
I1 33-8	477	108	213	306	210	50	257	231	115	302
I1 50-12	477	108	213	306	210	50	257	231	115	302
I1 100-15	477	108	213	306	210	50	257	231	115	302



Model	Reference		I (A)			P1 (kW)		P2		c	Ø Suc. (mm)	l/min	Flow Rate								Unitary packaging		
	Single-phase	Three-phase	230 V	230 V	400 V	1~	3~	(kW)	(HP)				µF	m <sup>3</sup> /h	1,5	3	4,5	6	9	12	15	17,4	m <sup>3</sup>
I1 33-8	126731	126730	2	1,9	1,1	0,45	0,45	0,25	0,33	12	50	mwc	10,2	9,7	8,6	7,2	3,2				0,042	7,4	20
I1 50-12	126734	126733	2,9	2,1	1,2	0,65	0,65	0,37	0,5	12	50		12,3	11,9	11,3	10,5	8,1	4,6			0,042	7,7	20
I1 100-15	126737	126736	3,8	2,9	1,7	0,85	0,80	0,75	1	12	50		13,8	13,3	13	12,5	10,8	8,1	4,8	1,8	0,042	8,4	20