

Description

Self-priming centrifugal pump designed for recirculation and filtration of water in home or community swimming pools up to 300 m³. High-capacity pre-filter with transparent cap, anti-blockage seal and additional drainage spout in the pump casing. Supplied with suction and impulsion adaptors.

Materials

Pump casing, pump base, diffuser, impeller and seal mounting in technopolymer.

Stainless-steel drive shaft.

Mechanical seal in graphite and alumine.

Aluminium motor casing.

Windings mechanism impregnated with epoxy resin.

NBR gaskets.

Motor

Dual-pole, asynchronous. IP55 protection.

Class F insulation. Continuous operation.

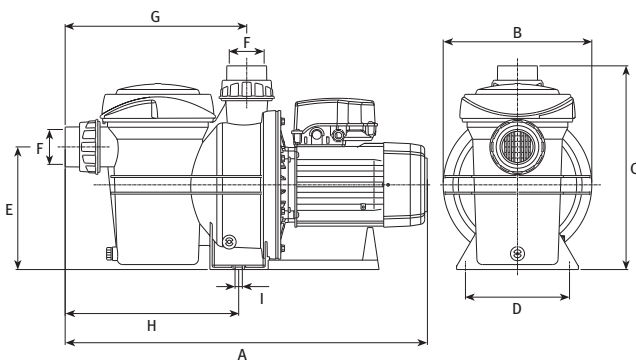
Safety system anti-blockage and dry operation protection.

TAG - RFID with pump identification details.

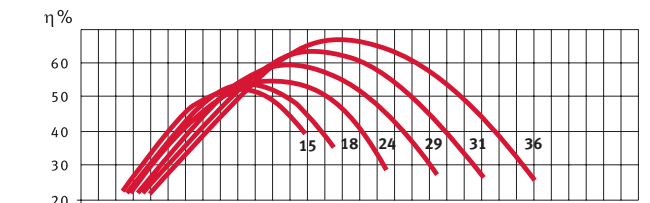
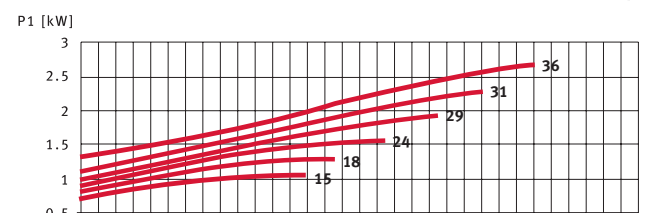
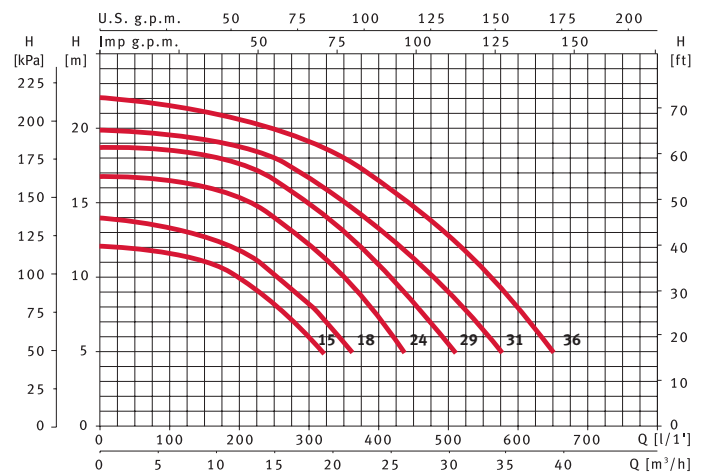
Operation time and number of starts and stops registration.

Single-phase version with built-in thermal protector.

Dimensions



Model	A	B	C	D	E	F	G	H	I
S2 75-15	655	269	368	188	222	63	328	314	13
S2 75-18	655	269	368	188	222	63	328	314	13
S2 100-24	655	269	368	188	222	63	328	314	13
S2 150-29	655	269	368	188	222	63	328	314	13
S2 200-31	655	269	368	188	222	63	328	314	13
S2 300-36	651	269	368	188	222	63	328	314	13



Model	Reference		I (A)			P1 (kW)		P2		c	Ø Suc. (mm)	l/min	Flow rate (m³/h)							Unitary packaging			
	Single-phase	Three-phase	230 V	230 V	400 V	1~	3~	(kW)	(HP)				µF	6	9	15	21	27	30	33	39	m³	Kg
S2 75-15	129478	129479	4,1	3,5	2	0,9	0,9	0,55	0,75	25	63	mwc	11,5	11	8	3					0,074	14,4	8
S2 75-18	129480	129481	4,5	3,8	2,2	1	1	0,55	0,75	25	63		13,2	12,8	10	5,5					0,074	14,4	8
S2 100-24	129482	129483	7	4,8	2,8	1,5	1,6	0,92	1,25	25	63		16,5	16	14,2	10	4				0,074	15,6	8
S2 150-29	129484	129486	8,5	5,3	3,1	1,9	1,9	1,1	1,5	25	63		18,5	18,2	16,5	13	8,2	5,5			0,074	17,3	8
S2 200-31	129487	129489	9,7	6,5	3,8	2,2	2,2	1,5	2	30	63		19,5	19,1	18	15	11,1	9	6,3		0,074	19,9	8
S2 300-36	129490	129492	12,5	8,6	5	2,8	2,6	2,2	3	60	63		21,5	21	19,9	18	14,9	12,9	10,3	5	0,074	21	8