

# Multipool Tronic Swimming Pools



## Self-priming centrifugal pumps

### Applications

Booster pumps for pool cleaners.  
Designed for operation with chlorinated waters, salty and ozonized waters.

### Materials

Pump body, base and diffusers in polymeric materials.  
Pump body with pressure gauge and flow-regulating valve included.  
Shaft in AISI 316 stainless steel.  
Wet end with AISI 316 metallic components.  
Mechanical seal in graphite and aluminium oxide.  
Motor housing in L-2521 aluminium.  
Windings impregnated with polyester resin.

### Motor

Asynchronous, 2 poles.  
IP 44 protection.  
Class F insulation.  
Continuous operation.  
Single-phase with built-in thermal protection.

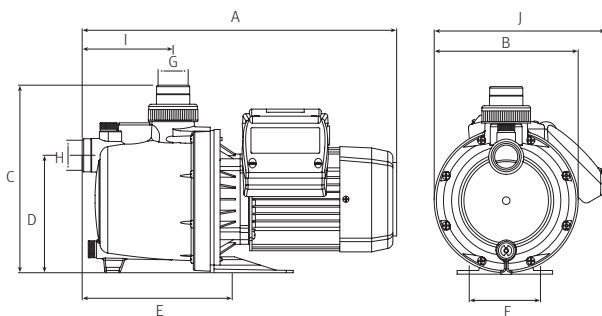
### Equipment

Electronic programmer which controls automatic operation of the pump.  
Flow-regulator valve and pressure gauge with rotating glass and position signal.  
Incorporates an electronic timer.  
Supplied with 2m. cable and plug.

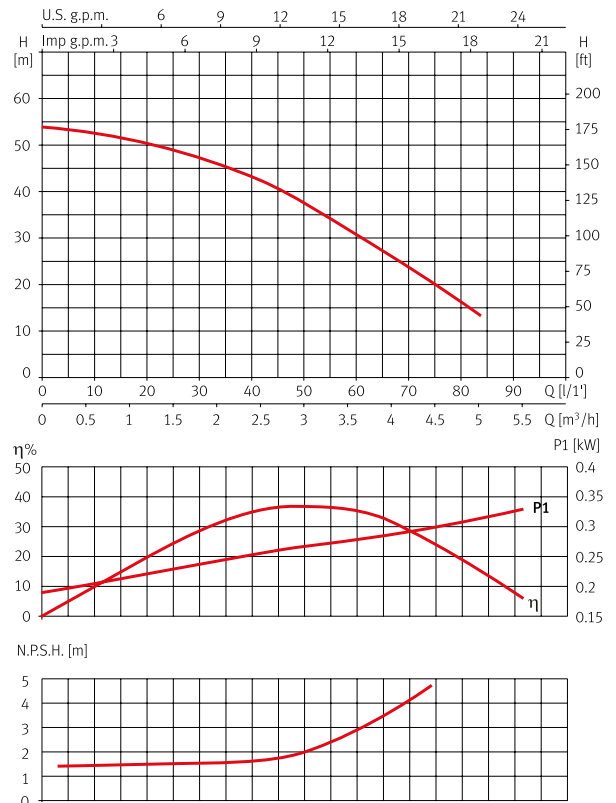


### Dimensions and weights

Model	A	B	C	D	E	F	G	H	I	J	kg
Multipool Tronic	415	190	247.5	155	198	94	1"	1"	120	225	10.5



### Performance curves at 2900 rpm



### Hydraulic performance table

Model	I (A)	P1 (kW)	P2		μF	l/min	10	30	40	50	60	65	70	80
			(kW)	(HP)			m³/h	0.6	1.8	2.4	3.0	3.6	3.9	4.3
Multipool Tronic	6	1.3	0.75	1	16	mwc	53	47	43	37	32	27.5	24	17