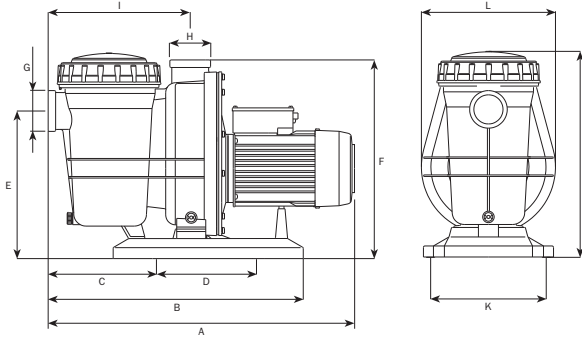
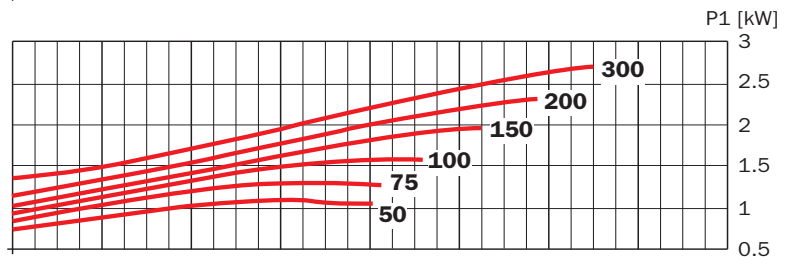
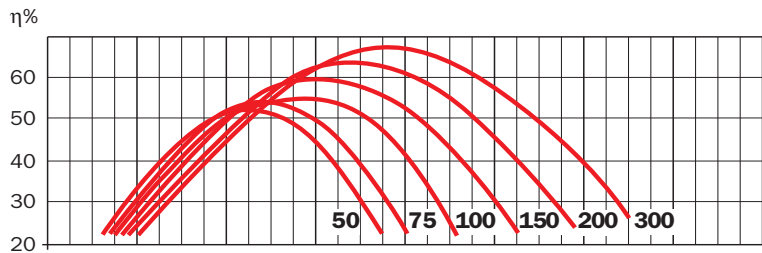
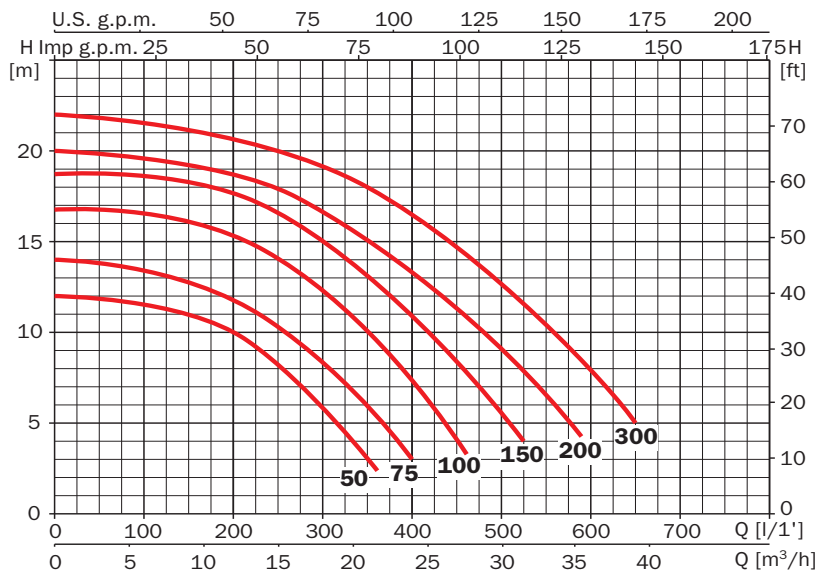




Tifon1



	A	B	C	D	E	F	G	H	I	J	K	L	Kg
Tifon1 50	612,5	510	216,5	200	295	397	2 3/4"	2 3/4"	284	412	231	268	13
Tifon1 75	612,5	510	216,5	200	295	397	2 3/4"	2 3/4"	284	412	231	268	14
Tifon1 100	612,5	510	216,5	200	295	397	2 3/4"	2 3/4"	284	412	231	268	15
Tifon1 150	612,5	510	216,5	200	295	397	2 3/4"	2 3/4"	284	412	231	268	18
Tifon1 200	612,5	510	216,5	200	295	397	2 3/4"	2 3/4"	284	412	231	268	21
Tifon1 300	612,5	510	216,5	200	295	397	2 3/4"	2 3/4"	284	412	231	268	23



Curvas de funcionamiento a 2900 r.p.m.
 Performance curves at 2900 r.p.m.

230 V 50 Hz	230/400 V 50 Hz	A			P1 (kW)		kW	HP	μF	l/min m³/h	100	150	250	350	450	500	550	650
		1~ 230 V	230 V	3~ 400 V	1~	3~												
Tifon1 50 M	Tifon1 50	4.1	3.5	2	0.9	0.9	0.55	0.75	25	12.2	11.7	8.4	3.8	-	-	-	-	-
Tifon1 75 M	Tifon1 75	4.5	3.8	2.2	1.0	1.0	0.55	0.75	25	13.5	13	10	5.5	-	-	-	-	-
Tifon1 100 M	Tifon1 100	7	4.8	2.8	1.5	1.6	0.75	1.0	25	16	15.5	14.2	10	4	-	-	-	-
Tifon1 150 M	Tifon1 150	8.5	5.3	3.1	1.9	1.9	1.1	1.5	25	18.5	18.2	16.5	13	8.2	5.5	-	-	-
Tifon1 200 M	Tifon1 200	9.7	6.5	3.8	2.2	2.2	1.5	2.0	30	19	18.5	17.5	14.5	10.3	7.5	5	-	-
Tifon1 300 M	Tifon1 300	12.5	8.6	5	2.8	2.6	2.2	3.0	60	22	21.5	19.5	18	15	13	10	5	-