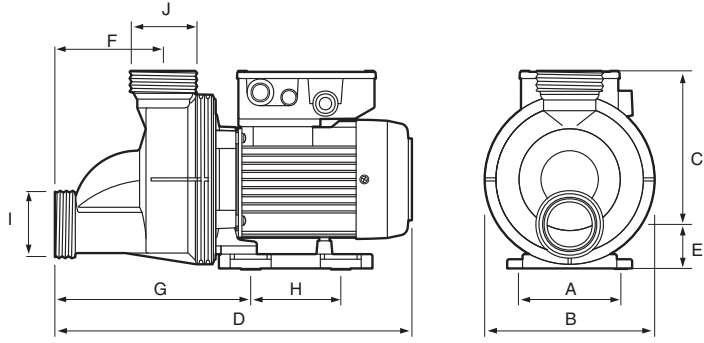


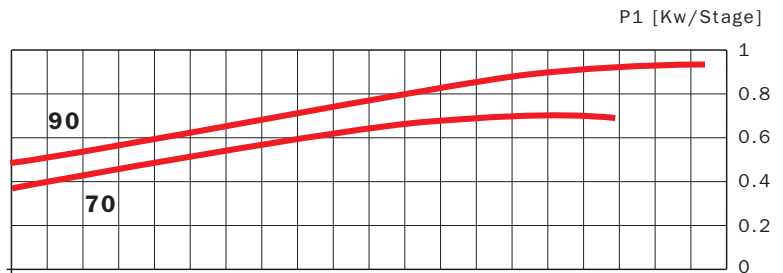
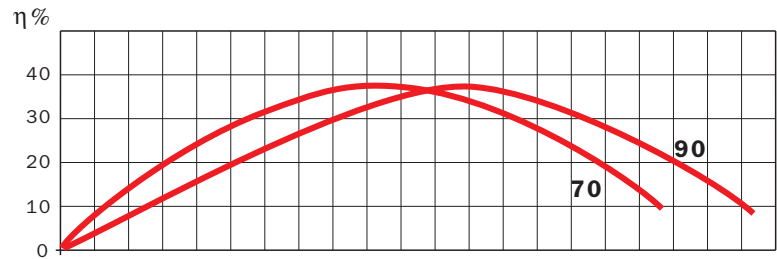
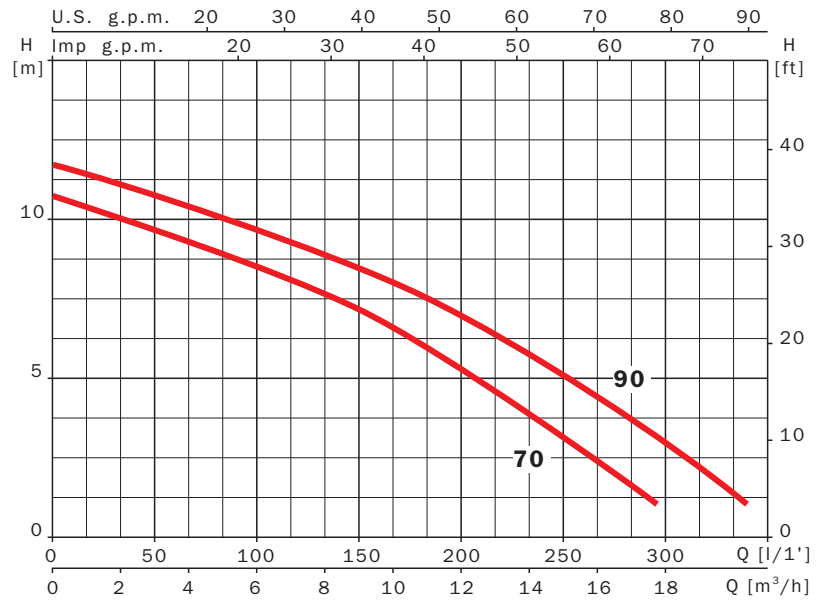


Tiper1



	A	B	C	D	E	F	G	H	I	J	Kg
Tiper1 70	100	166	150	348	43	106	190	88	2 ³ / ₄ "	2 ³ / ₄ "	4,0
Tiper1 90	100	166	150	348	43	106	190	88	2 ³ / ₄ "	2 ³ / ₄ "	4,5

Curvas de funcionamiento a 2900 r.p.m.
Performance curves at 2900 r.p.m.



230 V 50 Hz	230/400 V 50 Hz	A			P1 (kW)		kW	HP	μF	l/1' m³/h	50 3	100 6	150 9	175 10.5	200 12	250 15	300 18	340 20.4
		1~ 230 V	3~ 230 V 400 V		1~	3~												
Tiper1 70M		3.1			0.7		0.37	0.5	12		9.6	8.5	7	6.2	5.1	3		
Tiper1 90M		4.2			0.9		0.75	1	12		10.8	9.8	8.5	7.8	7	5	3	1